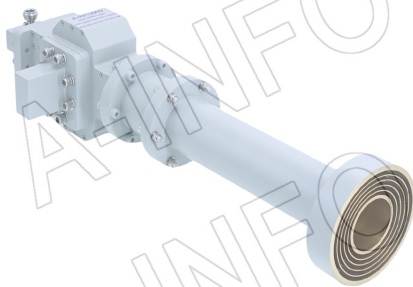


For reference only. See data sheet for the detailed specifications.

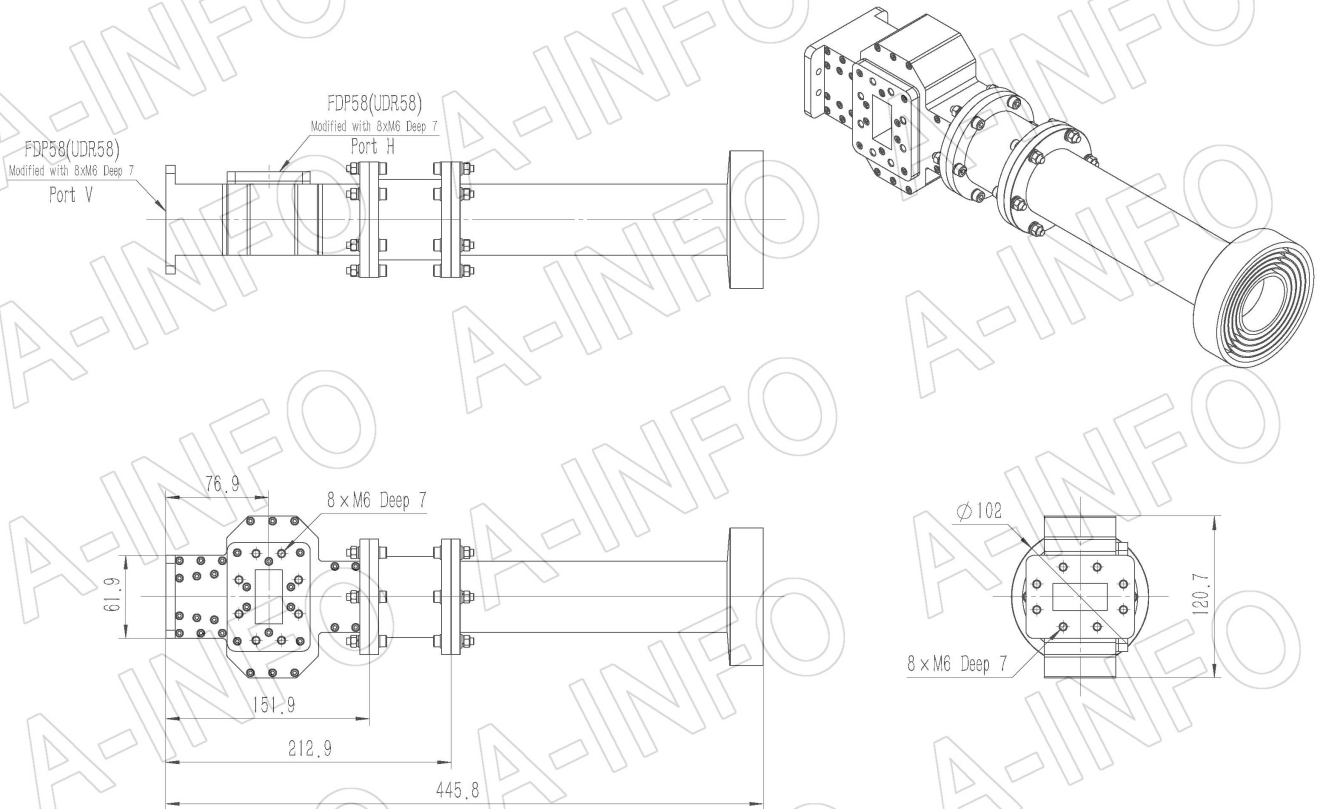
Technical Specification



| | |
|----------------------------|---------------------------------------------------------------------------------|
| Frequency Range(GHz) | 4.90 – 7.05 |
| Waveguide | WR159 |
| Gain(dBi) | 10 Typ. |
| Polarization | Dual Linear |
| 3dB Beamwidth(deg) | E Plane: 56 Typ. |
| | H Plane: 57 Typ. |
| 10dB Beamwidth(deg) | E Plane: 103 Typ. |
| | H Plane: 107 Typ. |
| Cross Pol. Isolation(dB) | 45 Typ. |
| Port to Port Isolation(dB) | 50 Typ. ; 40 Min. |
| VSWR | A Type: 1.30:1 Typ. |
| | C Type: 1.50:1 Typ. |
| Output | A Type: FDP58(UDR58) (Modified with 8xM6 D7) |
| | C Type: N-Female or SMA-Female or TNC-Female or 7mm or 3.5mm-Female |
| Material | Al |
| Finish | Chemical Conversion Coating, Gray Paint |
| Size(mm) | A Type: 102 x 120.7 x 445.8 |
| | C Type: 136.9 x 120.7 x 495.8 |
| Net Weight(Kg) | A Type: 2.40 Around |
| | C Type: 2.84 Around |

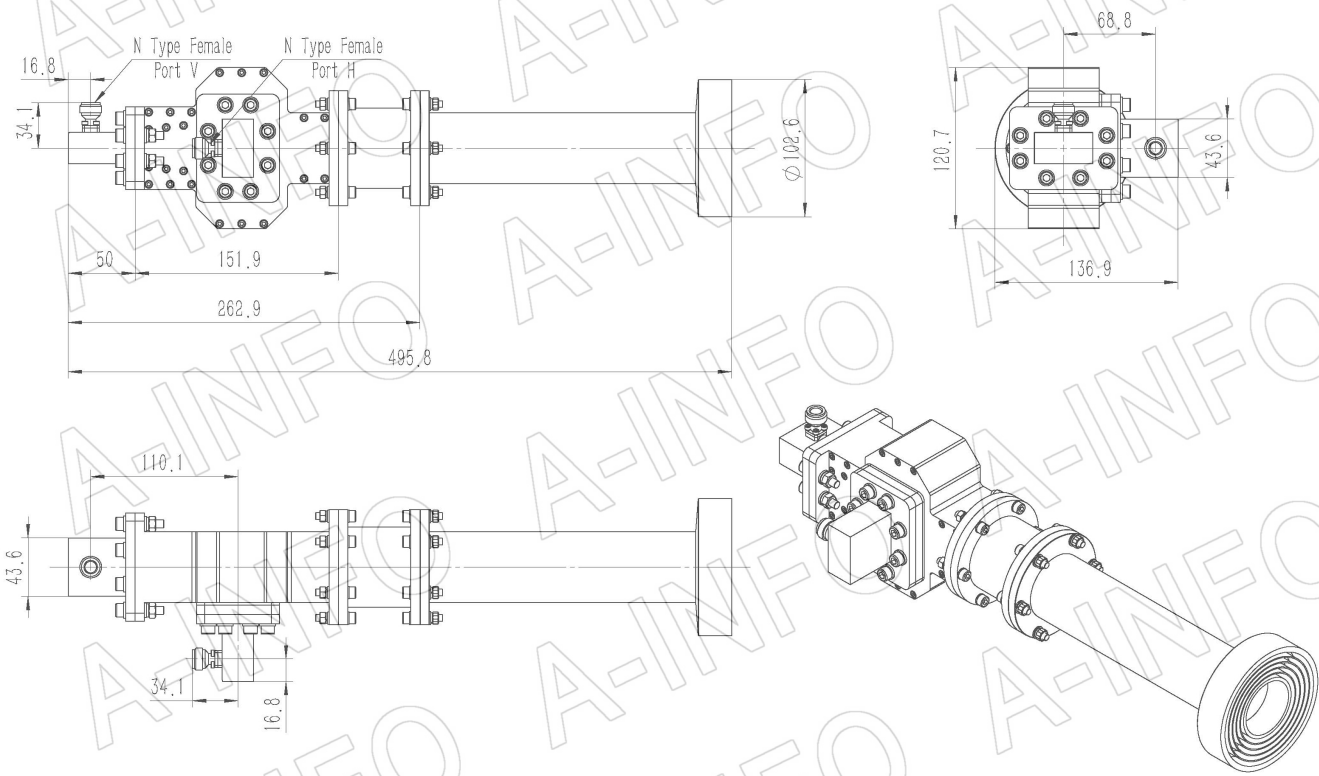
Outline Drawing (Size: mm)

FDP58 Output (P/N: LB-ACH-159-10-T02-A)

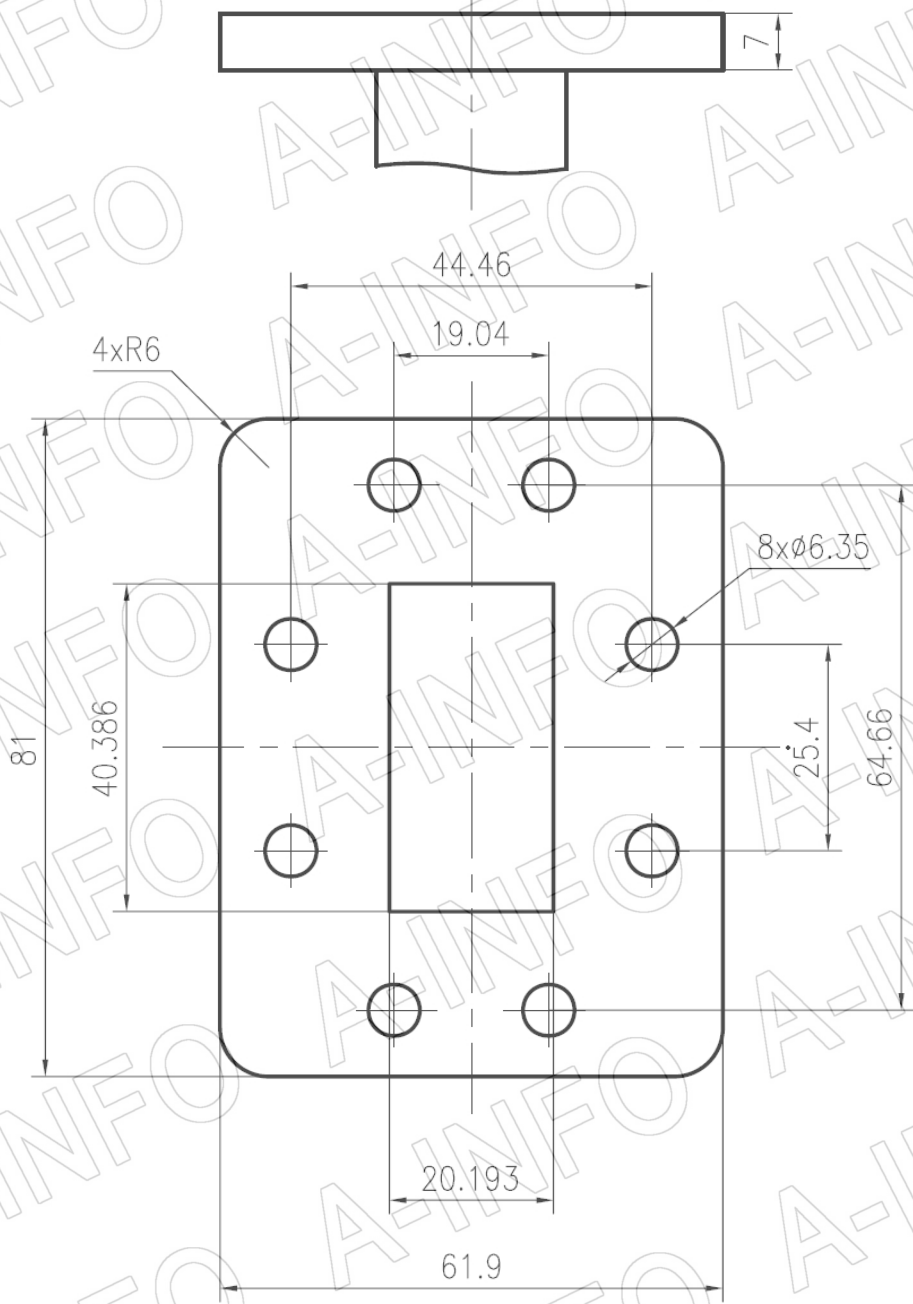


N-Female Output (P/N: LB-ACH-159-10-T02-C-NF)

For SMA-Female, TNC- Female, 7mm or 3.5mm-Female output outline drawing, please contact A-INFO.



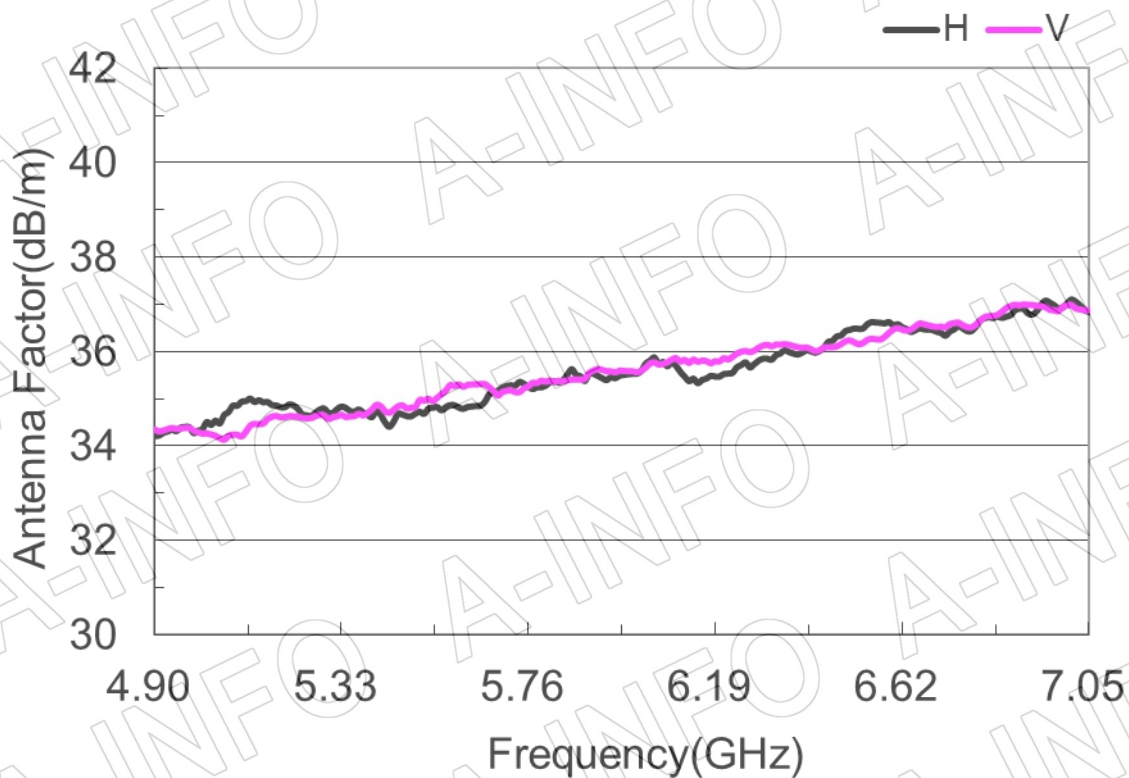
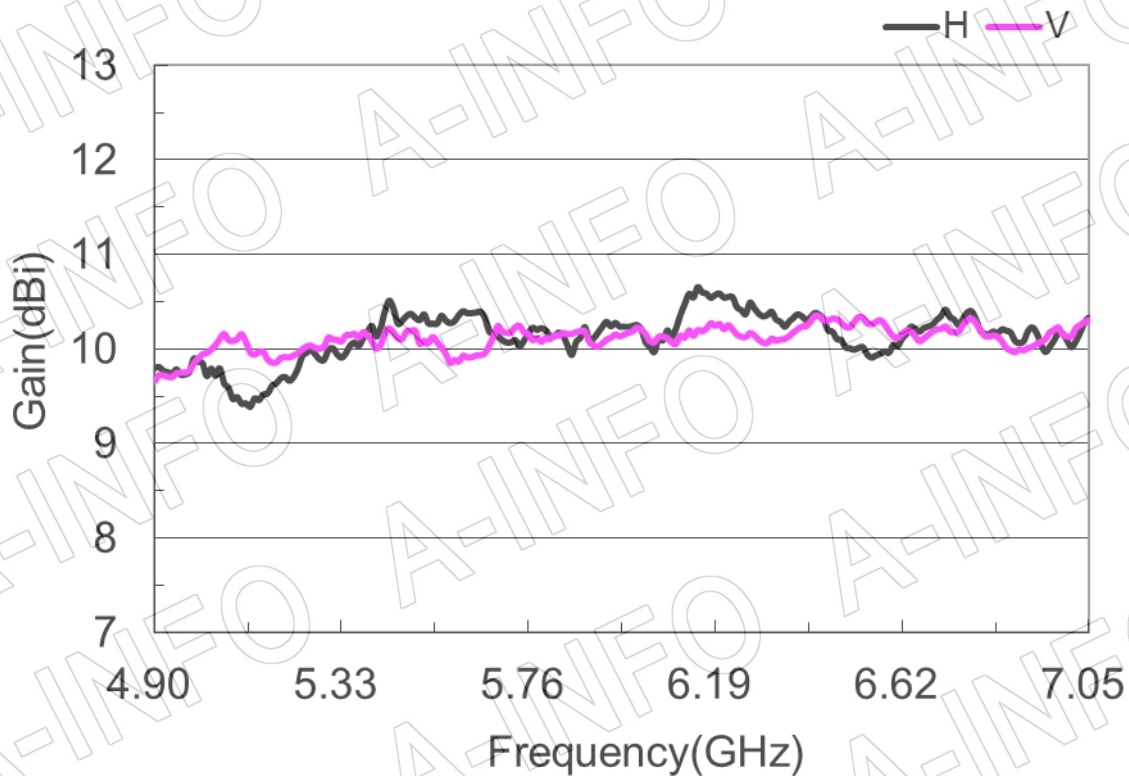
Flange Drawing (Size: mm)



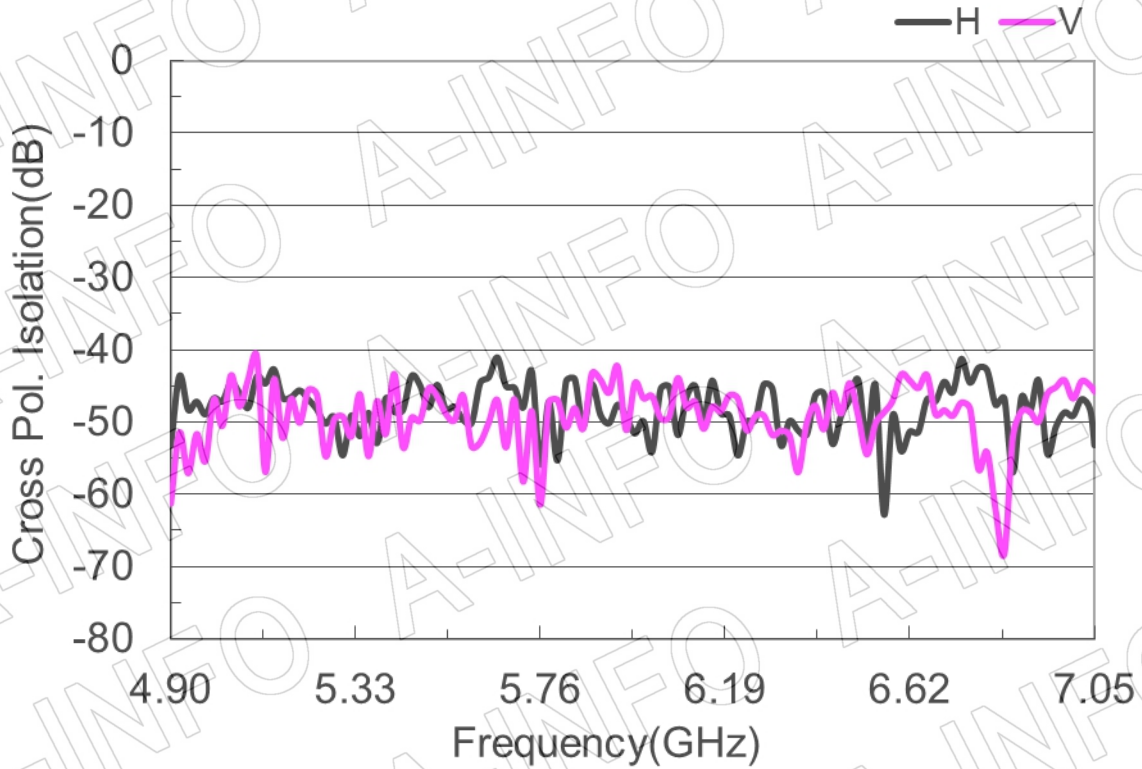
FDP58

Test Results

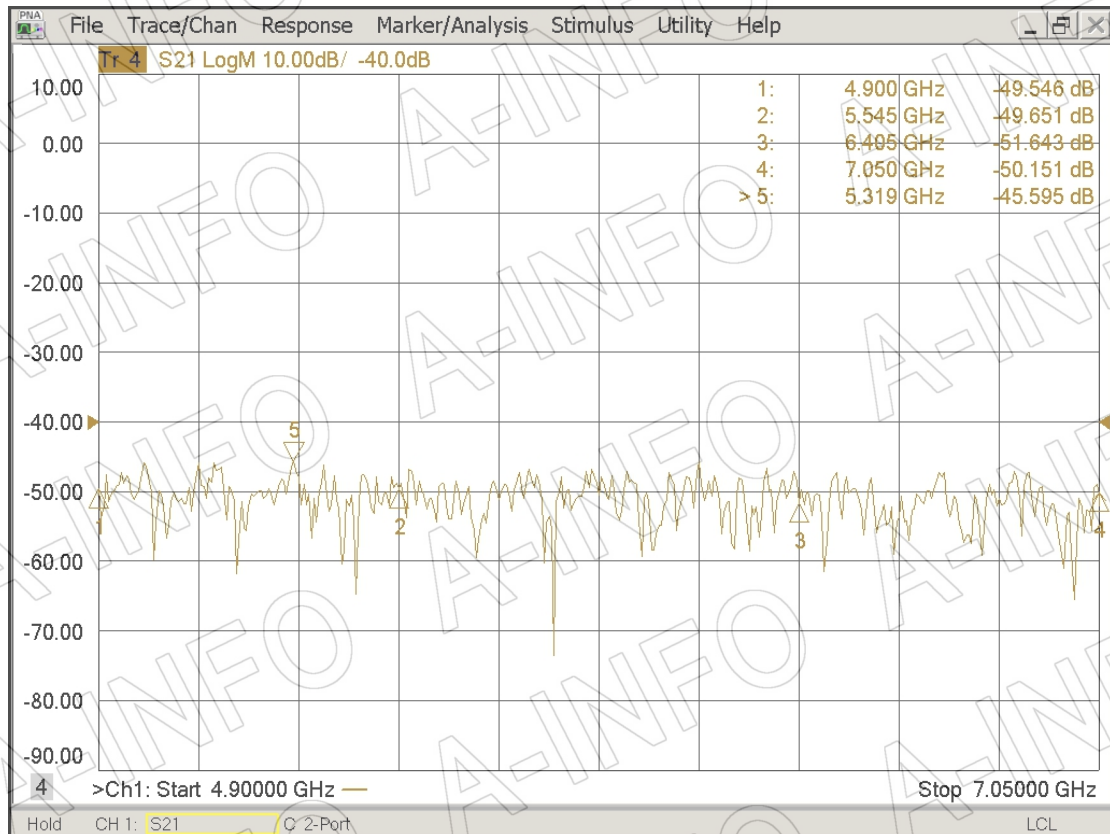
1. Gain & Antenna Factor



2. Cross Polarization Isolation

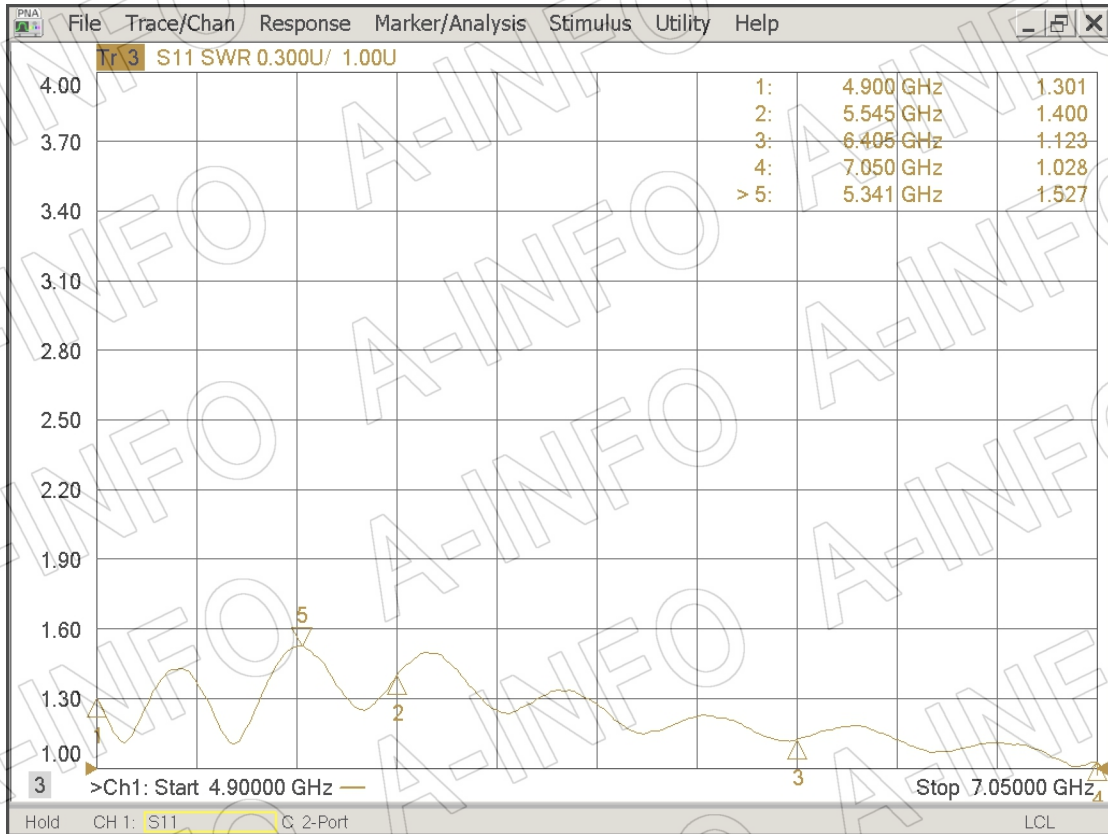


3. Port to Port Isolation

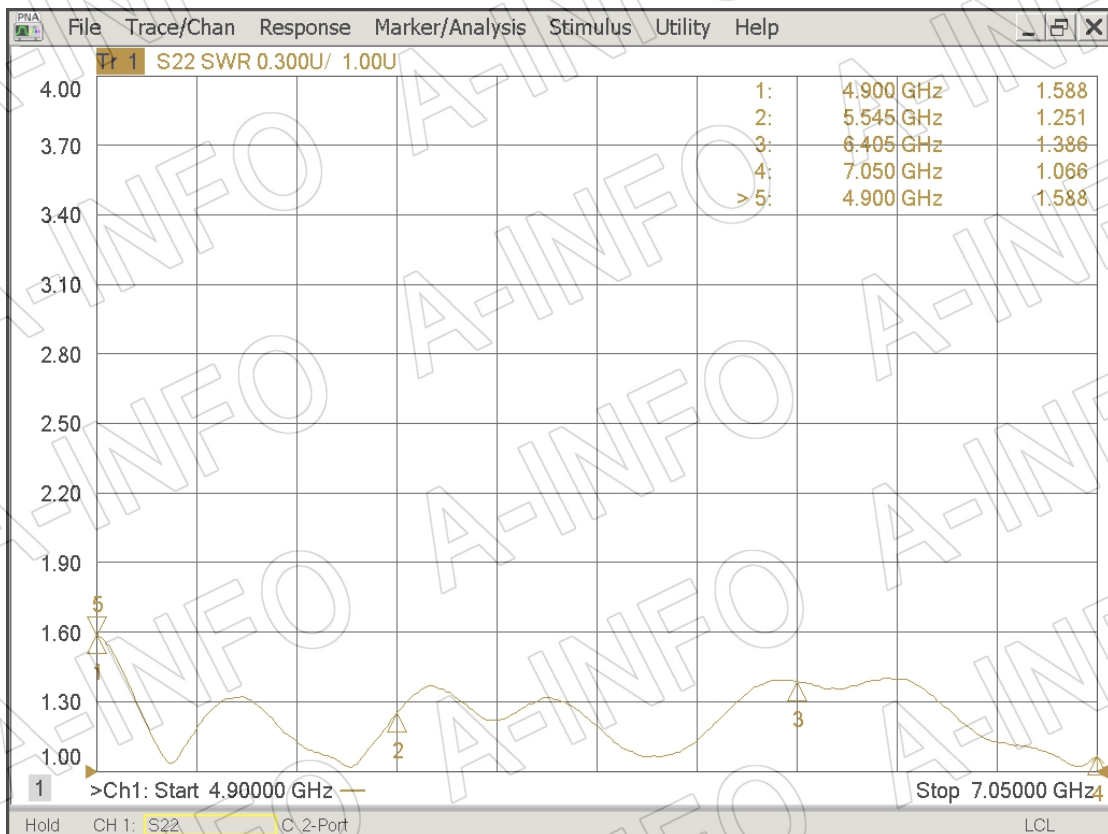


4. VSWR_A Type

Port-H

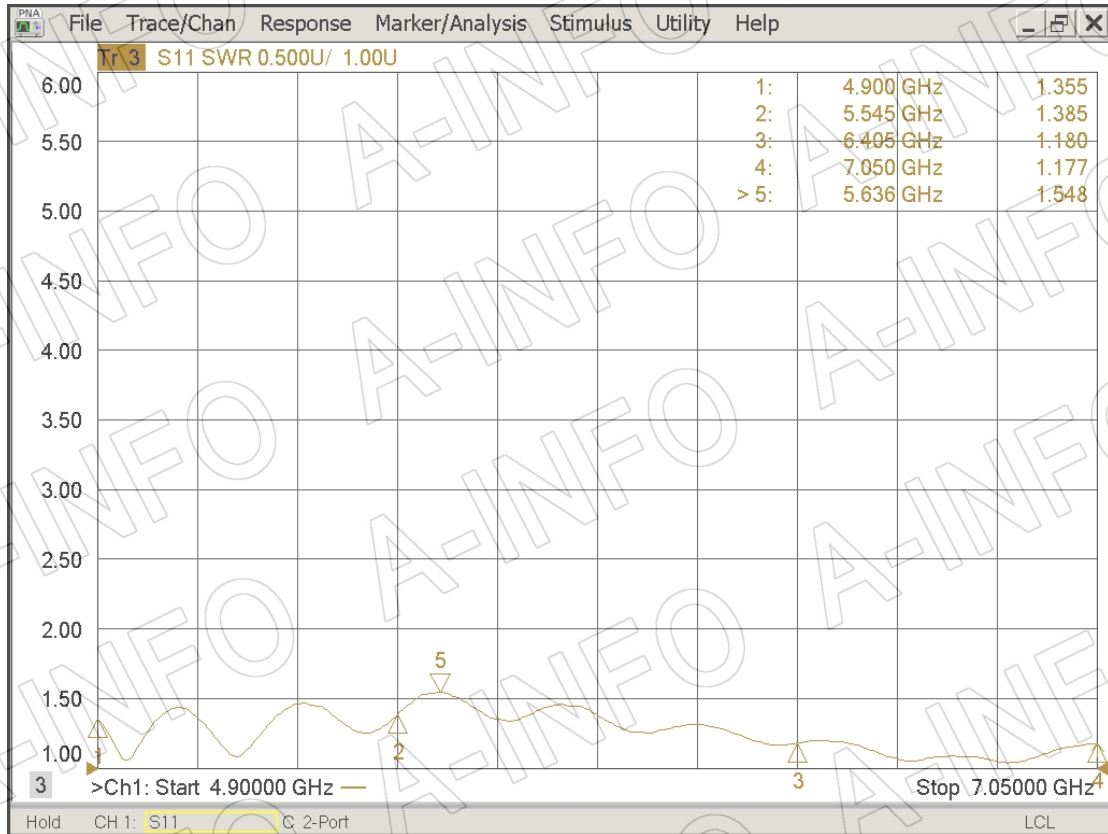


Port-V

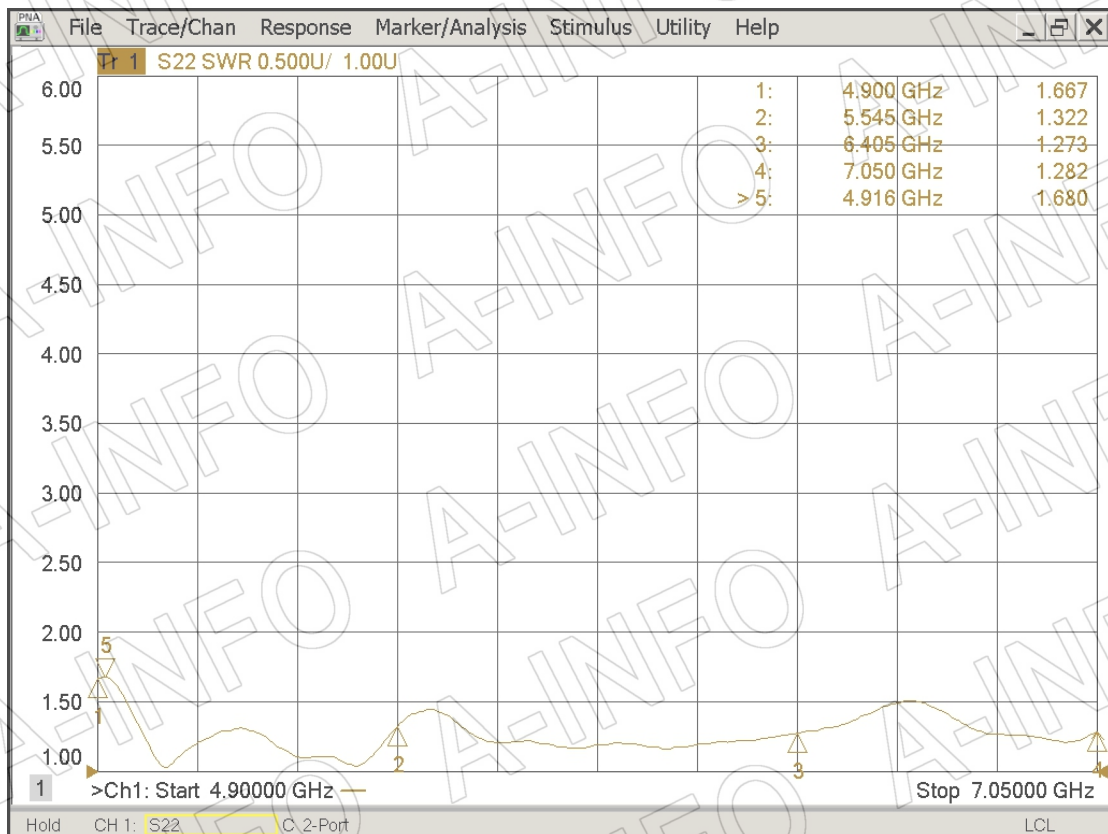


VSWR_C Type

Port-H



Port-V



5. Pattern

